

socket; with strain relief housing; 2-pole; for cable diameter 3.8 - 8.2 mm

Item No.: 890-102



socket; with strain relief housing; 2-pole; for cable diameter 3.8 - 8.2 mm

Marking

RoHS ✓
Compliant

Business data

Supplier	WAGO
Item no.	890-102
GTIN / EAN	4045454231729
Content	1
Order amount	50
Customer item number	

Notes

Note: All connectors for fixed installations (snap-in versions for lighting fixtures, devices or all types of PCBs and distribution cabinets) are factory-equipped with locking levers to ensure plugs and sockets are securely locked. Additional locking levers are only required for "flying leads" (plug/socket). All WINSTA® components are 100% protected against mismatching in terms of: a.) plugging different number of poles b.) plugging when turned by 180° c.) plugging when laterally staggered d.) plugging one pole Mating cycles: 100, with resistive load IN = 16 A, tested (1.5 mm²/AWG 16)

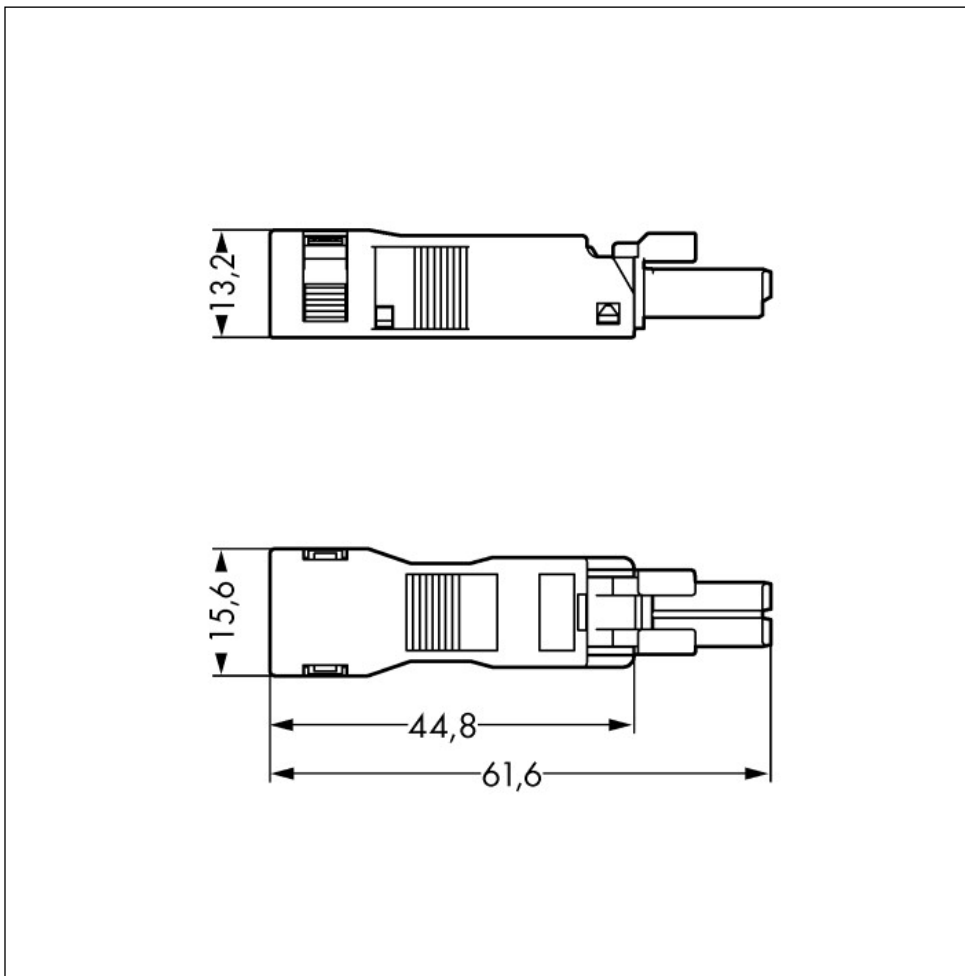
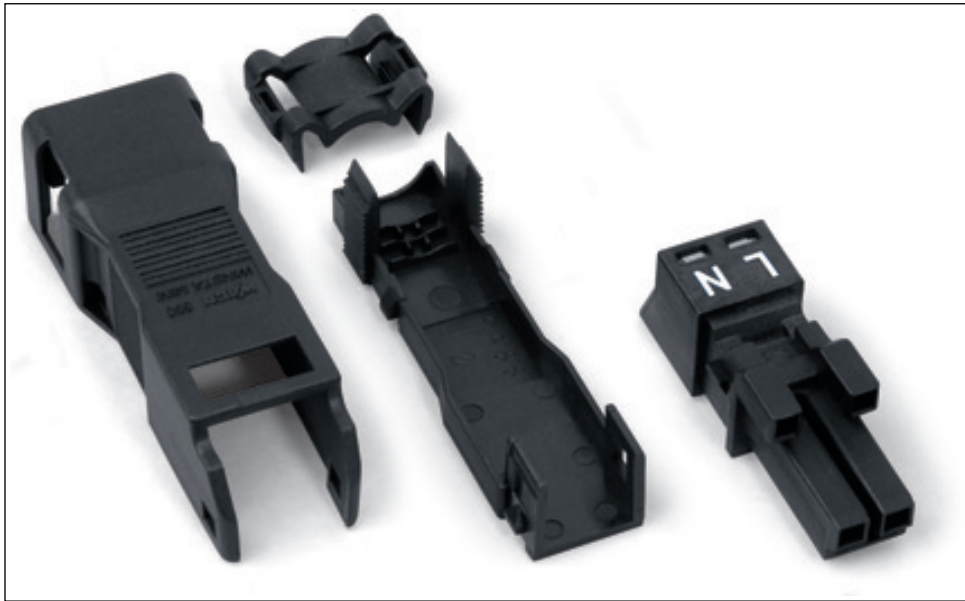
Technical data

Miscellaneous

No. of poles	2
Total number of connection points	2
Total number of potentials	2
Potentialkennzeichnung	L N
Color	black

Technical data	
<i>Coding</i>	A
<i>Pollution degree (1)</i>	3
<i>Rated voltage EN (1) [V]</i>	250 [V]
<i>Rated surge voltage (1) [kV]</i>	4 [kV]
<i>Nominal current [A]</i>	16 [A]
<i>Mating cycles</i>	200, without resistive load
<i>Connection technology (1)</i>	Push-in CAGE CLAMP®
<i>Nominal cross section 1</i>	1.5 mm ² / 16 AWG
<i>Solid sizes 1</i>	0.25 ... 1.5 mm ² / 22 ... 16 AWG
<i>solid, directly pluggable 1</i>	0.75 ... 1.5 mm ² / 20 ... 16 AWG
<i>stranded, connectable 1</i>	0.25 ... 1 mm ² / 22 ... 18 AWG
<i>Fine-stranded wires 1</i>	0.25 ... 1.5 mm ² / 22 ... 16 AWG
<i>Fine-stranded wires with insulated ferrule 1</i>	0.25 ... 0.75 mm ² / 22 ... 20 AWG
<i>Fine-stranded wires with uninsulated ferrule 1</i>	0.25 ... 1 mm ² / 22 ... 18 AWG
<i>min. fine-stranded with insulated ferrule, push-in terminati</i>	0.75 mm ² / 20 AWG
<i>Strip length 1</i>	9 mm / 0.35 in
<i>Mating force of a plug-in connection</i>	approx. 20...70N (depending on number of poles)
<i>Retention force of a plug-in connection</i>	when locked: > 80N
<i>Insulating material</i>	Polyamide 6.6 V0, halogen-free (except cable)
<i>Flammability rating per UL 94</i>	V0
<i>Clamping spring material</i>	Chrome-nickel spring steel (CrNi)
<i>Contact material</i>	Copper or copper alloy, surface-treated
<i>Processing temperature</i>	-5°C ... +40°C
<i>Fire load [MJ]</i>	0.14 [MJ]
<i>Weight [g]</i>	5.614 [g]
<i>Width</i>	15.6 mm / 0.614 in
<i>Height</i>	13.2 mm / 0.52 in
<i>Length</i>	61.6 mm / 2.425 in
<i>Marking</i>	L N

Images & drawings



Address

WAGO Kontakttechnik GmbH & Co. KG

Hansastr. 27

32423 Minden

Telefon: 0571/887-0

Fax: 0571/887-169

<http://www.wago.com>

© WAGO Kontakttechnik GmbH & Co. KG

Technische Änderungen und Irrtümer vorbehalten.